

LINEA N13

LARGE FORMAT HORIZONTAL WRAPPING MACHINES

FEATURES

- Internal ring diameter – 1330mm
- Speed 10-120 RPM
- Film pre-stretch for maximized film yield
- Film clamp, cut, weld
- Touch screen control
- Band wrapping & reinforcing cycles
- Bypass cycle
- Power 400V 3PH+N 50/60Hz
- Installed power 1.7 kW

OPTIONS

Linea N13 250

- Variable feed speed 4-20 m/min

Linea N13 250 Double

- Variable feed speed 8-40 m/min
- Infeed/Outfeed conveying

These high-capacity wrappers are an excellent option for protecting long and flexible items. Secure your product to a pallet or bundle it together with this versatile horizontal wrapper. The intelligent controls allow you to add extra containment strength to different areas of the load or apply film only at specific points.

A wide range of models is available to suit different load sizes and throughput requirements.



LAYOUT N 13 [mm]

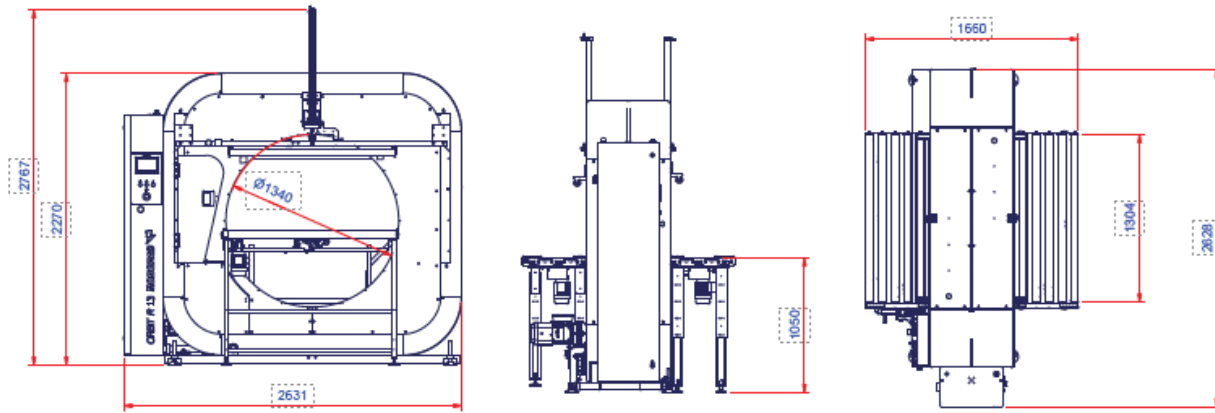


Diagram dimensions are for reference only*

FEATURES		N5			N9			N13	
		REEL			REEL			REEL	
		125 SINGLE	250 SINGLE	250 DOUBLE	125 SINGLE	250 SINGLE	250 DOUBLE	250 SINGLE	250 DOUBLE
Internal ring diameter	mm	560			970			1400	
Variable advancement speed	rpm	20÷180	20÷150		10÷120	10÷100		10÷80	
Variable feed speed with inverter	m/min	5÷20	8÷35	15÷70	4÷15	5÷25	10÷50	4÷20	8÷40
Compressed air consumption	NI/cycle	3.5	5.5	9	13	15	18	21	25
Power supply voltage	V	400V 3Ph+N 50/60Hz			400V 3Ph+N 50/60Hz			400V 3Ph+N 50/60Hz	
Installed power	kW	1.7			1.7			2.6	
Total weight of the machine	Kg	380	400	415	625	650	670	850	870
Pneumatic cold clamping / cutting unit		std			std			std	
Clamping unit with hot wire cutting (S.K.I.D.)		opt		n.a.	opt		n.a.	opt	n.a.
Reel holder with fixed pre-stretch		opt			opt			opt	
Maximum external diameter	mm	230			250			250	
Reel internal diameter	mm	76 / (std) / 50 (opt)	76		76 / (std) / 50 (opt)	76		76	
Reel height	mm	125	250		125	250		250	
Film thickness	µm	17÷35			17÷35			17÷35	