

## FUJI & KUKA Robotic Palletizing Skid System

### FEATURES

- **Quick Installation:** Get up and running in just one day.
- **Flexible Positioning:** Easily relocate or reposition as needed.
- **Hygienic Design:** Effortlessly clean underneath the entire cell for superior hygiene and pest control.
- **Modular Growth:** Seamlessly add pallet conveying, wrapping, additional infeed lines, and more as your business expands.
- **Maximized Uptime:** The dual-cell system allows continuous palletizing while finished pallets are removed.
- **User-Friendly Operation:** Make most operational changes in under 30 seconds via the central touch screen.
- **Robust Safety Compliance:** Fully compliant with AS/NZS 4024 machine guarding standards.

### APR SKID MOUNT PALLETIZER

The Palletizing Solution that Evolves with Your Business. Designed for businesses across Australasia, the APR Skid Mount Palletizer is your go-to system for efficient and reliable palletizing. Its rapid installation, compact footprint, and modular design make it an industry favourite.

Powered by Fuji & Kuka Robotics, renowned for legendary reliability and minimal maintenance, the APR Skid Mount Palletizer is the intelligent workhorse your business can rely on, day in and day out.



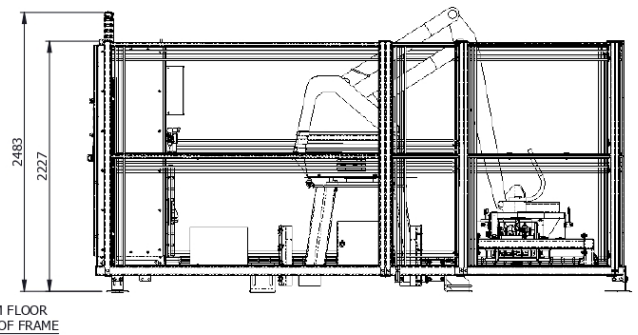
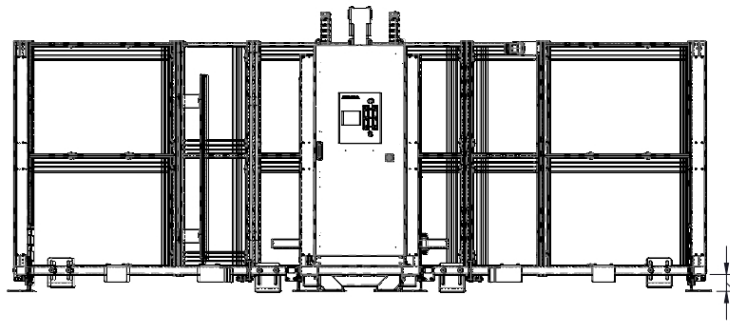
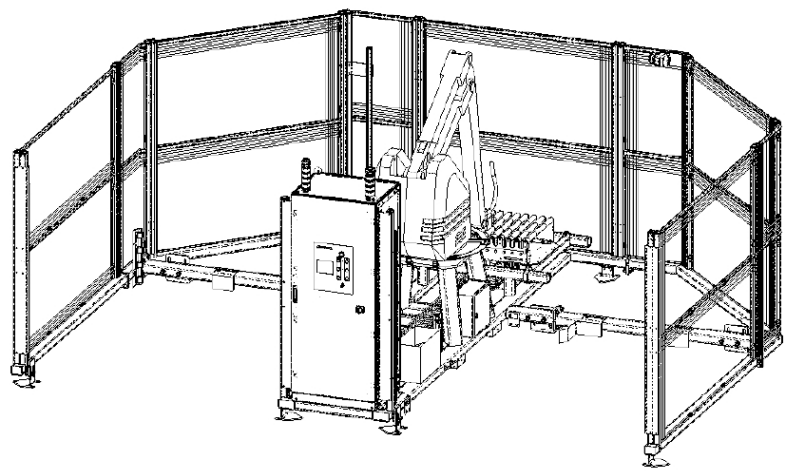
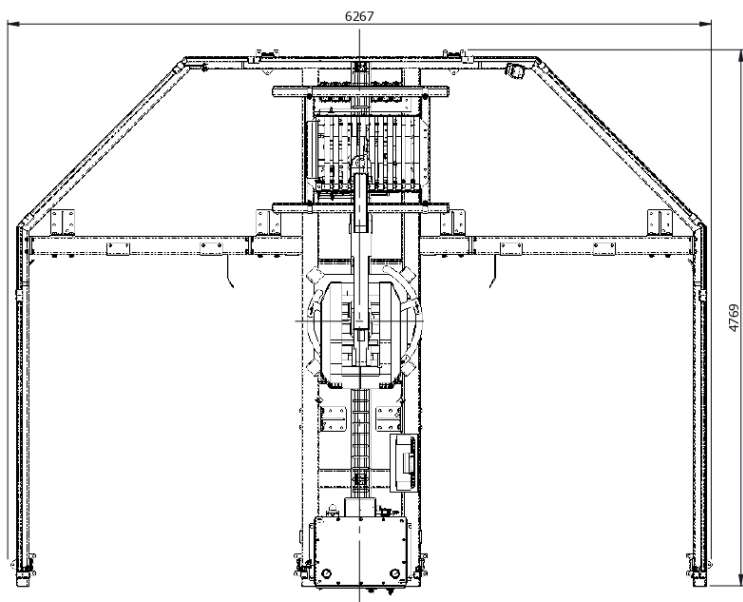


Diagram dimensions are for reference only\*

<b>Capacity</b>	1200 Bags per/hour
<b>Bag Type</b>	5-60 Kg bags
<b>Load Capacity</b> (Including End Effector)	160 kg
<b>Palletizing Capacity</b> (Cycles/hour)	700 - 1800
<b>Memory</b>	120 programming locations available
<b>Teaching Method</b>	Teaching playback / Teaching support
<b>Power Requirements</b>	(200/220V, 3 Phase, 50/60 Hz)
<b>Pneumatic Consumption</b>	5.7SCFM @ 70psi (0.5MPa)
<b>Industry</b>	Construction Products, Dairy, Fertilizer & Lime, Food, Grain & Seed, Landscape Products, Milling, Stockfeed

